



COCO

suspension lamp

COCO

Coco is well shaped with the least amount of fuss. Her power lies in the translucent material, which is completely illuminated by the built-in LED element. The result: a smooth fixture with a very pleasant light output.

The base of coco is made of translucent natural acrylic stone (consisting of 70% mineral raw materials and 25% of acrylate). By default, the collection is presented in three lengths (120, 160 and 200 cm), but can be produced in various lengths. In addition, the suspension brackets and brass inlay can also be adjusted to color or metal. Coco is a co-creation with designer Wesly Boom.

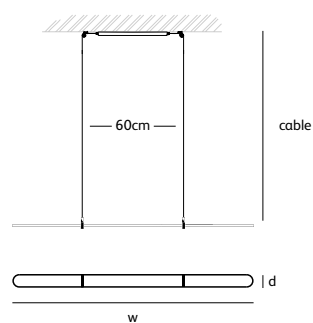


COCO

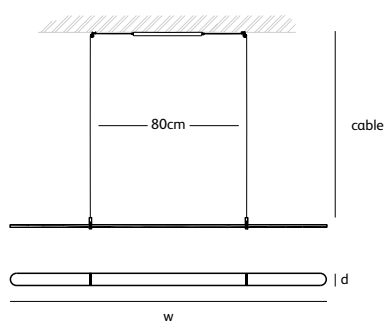
suspension lamp



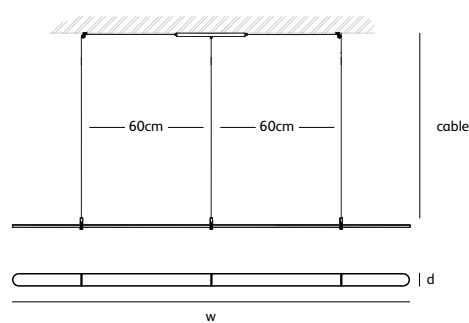
CO.160.SU



Order code	CO.120.SU
Dimensions	
Wxdxh	120x5,8x1,2cm
Standard cable length	200cm
Material	translucent natural acrylic stone
Light source	LED 23W / 2700K / 1090 lm
Weight/Packaging	
Net. weight	1kg
Dimmer	
Dimmable driver	DALI or 0-10V or TRIAC
Dimmer not included	
Wireless lighting control on request	



Order code	CO.160.SU
Dimensions	
Wxdxh	160x5,8x1,2cm
Standard cable length	200cm
Material	translucent natural acrylic stone
Light source	LED 30W / 2700K / 1420 lm
Weight/Packaging	
Net. weight	1,3kg
Dimmer	
Dimmable driver	DALI or 0-10V or TRIAC
Dimmer not included	
Wireless lighting control on request	



Order code	CO.200.SU
Dimensions	
Wxdxh	200x5,8x1,2cm
Standard cable length	200cm
Material	translucent natural acrylic stone
Light source	LED 38W / 2700K / 1800 lm
Weight/Packaging	
Net. weight	1,6kg
Dimmer	
Dimmable driver	DALI or 0-10V or TRIAC
Dimmer not included	
Wireless lighting control on request	